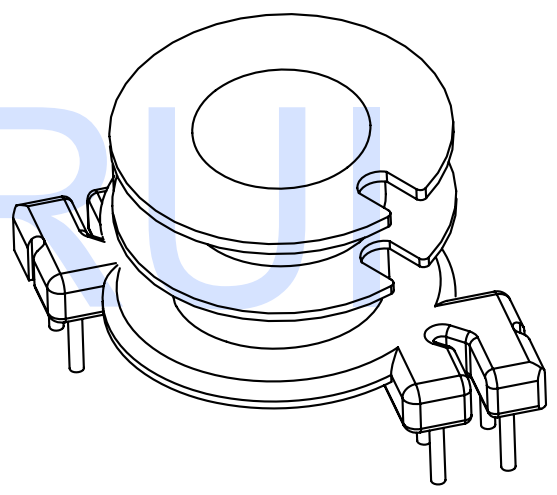
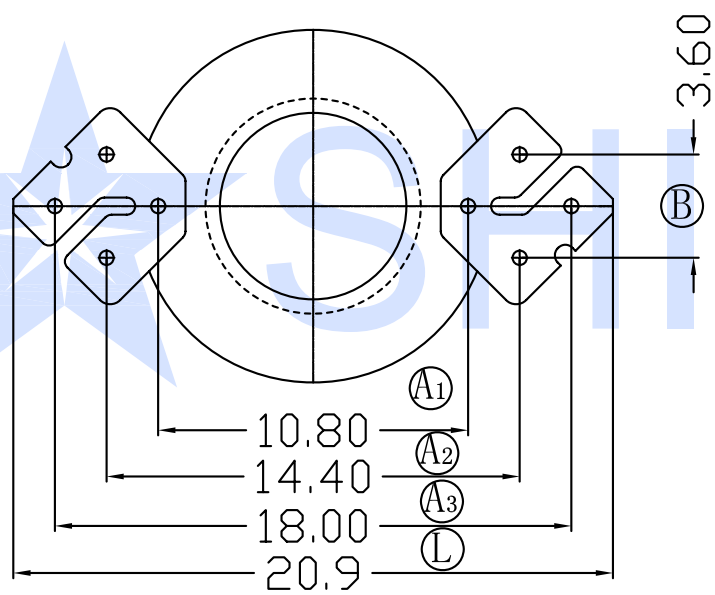
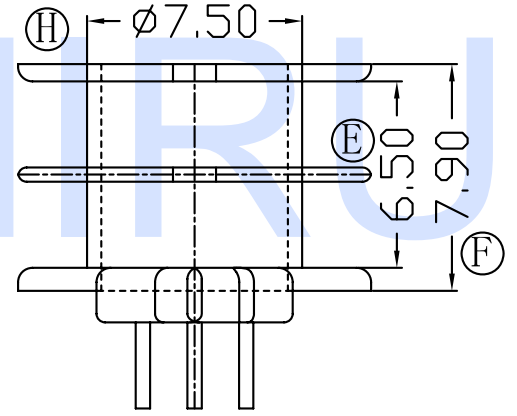
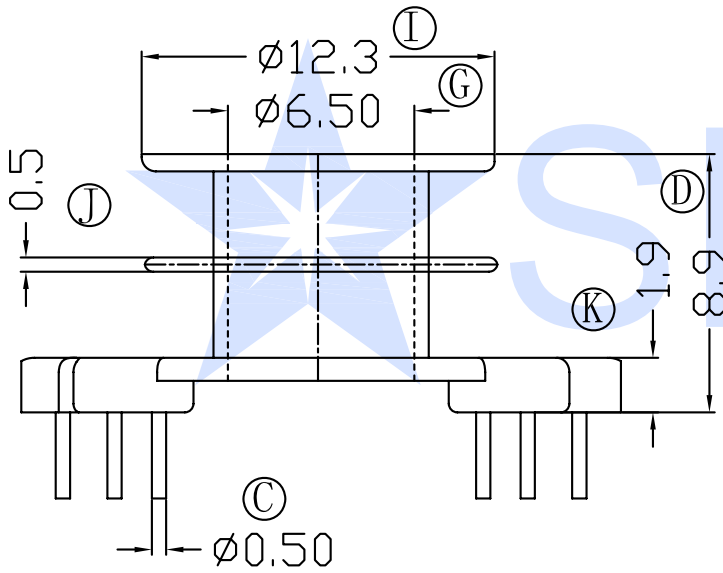


P/N

SR-RM 0602-1



Hefei Shirui Electronic Technology Co.,Ltd

TEL : (0086) 55165232650

sales@shiruitech.com

www.shiruitech.com

SR NO. SR-RM 0602-1	MATERIAL: PHENOLIC	UNIT: mm	TOLERANCE	DRN.	WILL H
MODEL NAME: RM6-8P-2S V	UL REC: UL 94V-0	0 L 4	±0.10	CHD.	IRINA LEE
	ANGLE: ±°	4 L 16	±0.20	ISSD.	JAMES HU
	SCALE 1:1	16 L 64	±0.30		
		PIN PITCH	±0.05		